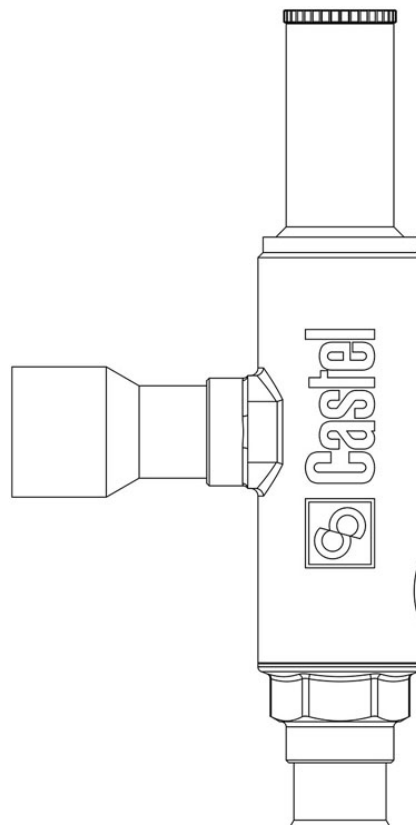


Product Code

3340/7S

Condensing Pressure Regulator
7/8"-22mm ODS

CLASSIC



Product use

These pressure regulators are designed to limit the liquid flow rate from the condenser to the liquid receiver tank, effectively reducing the exchange surface of the condenser and increasing the condensation pressure. They operate in combination with the differential valve that by-passes the hot gas from the compressor outlet to the liquid receiver tank, increasing the pressure of the liquid in the receiver tank.

Accessories for use with the following ASHRAE 34:2019 refrigerants, Class A1:

HCFC (R22)

HFC (R134a, R404A, R407C, R410A, R507)

HFO (R1234ze)

HFO + HFC (R448A, R449A, R450A, R452A, R513A, R515A, R515B)

Product details

Connections SAE Flare	-
Connections Ø ODS [in.]	7/8"
Ø ODS [mm]	22
Regulation range [bar]	3 - 20
Kv [m ³ /h]	2,7
PS [bar]	28
MWP [psi] (1)	405
TS [°C] min.	- 40
TS [°C] max.	+ 110
Package pcs	8

Castel non si assume alcuna responsabilità per eventuali errori nei cataloghi, opuscoli e altro materiale stampato o indicato nel sito Castel.it. Castel si riserva il diritto di modificare i propri prodotti senza preavviso. Tutti i marchi in questo materiale sono di proprietà di Castel. Tutti i diritti riservati.

Castel assumes no responsibility for any errors in catalogs, brochures and other material printed or indicated on the Castel.it website. Castel reserves the right to modify its products without notice. All trademarks in this material are the property of Castel. All rights reserved.

Notes

(1): according to UL approval